

# T200



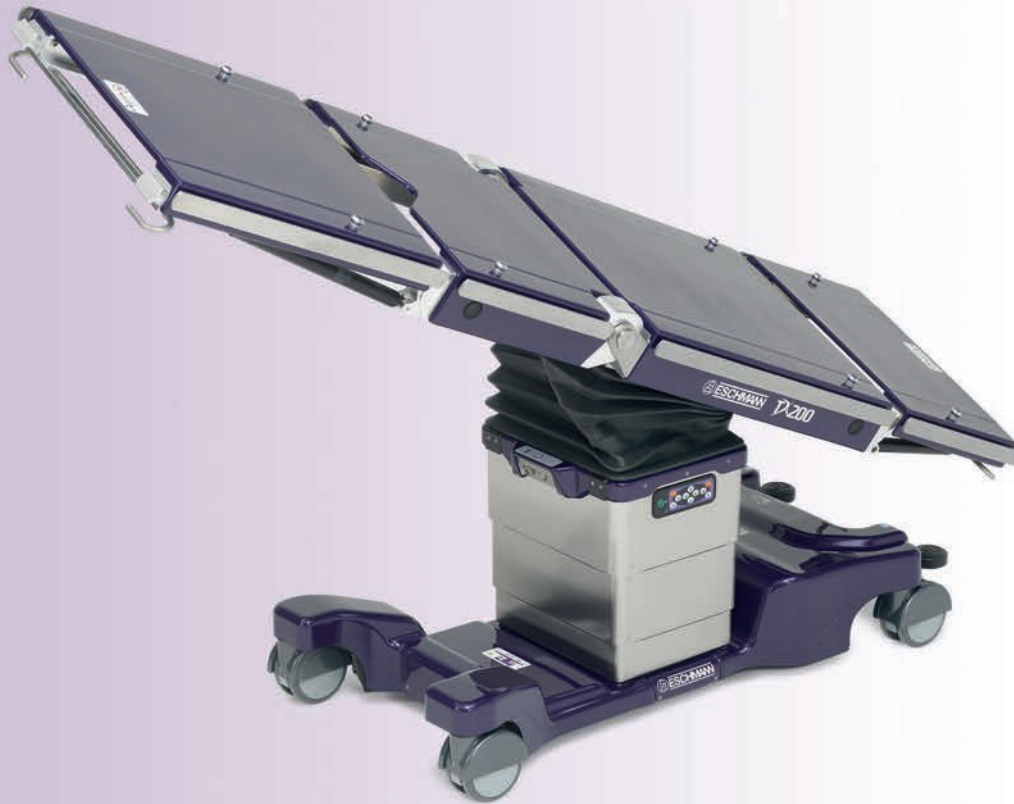
// SETTING A NEW LEVEL FOR  
OPERATING TABLE PERFORMANCE



## // TX200 GENERAL SURGERY OPERATING TABLE

For over 180 years, Eschmann has been manufacturing and delivering first class operating tables into the world's Hospital Operating Departments. Developed with input from leading Surgical Professionals, all products from Eschmann provide the highest standard in quality, functionality and efficiency.

The TX200 is the next step in operating table evolution. Designed around the most successful operating table ever sold in the UK, the TX200 provides the reliability and endurance that Customers have come to know and appreciate from Eschmann.



TX200



## // SUPERIOR CONTROL

Featuring digital technology, the new TX200 handset is able to provide all the core movements of the operating table with a single button press.

With no hidden features or complicated menu systems, the TX200 handset is extremely intuitive and easy to use.

- // 3 inch LCD screen providing patient positioning feedback
- // Tabletop angles and height are clearly indicated with live positioning information
- // Robust and reliable design
- // Detachable connecting lead
- // Audible and haptic feedback provides important user notifications
- // Vibration sensing to automatically wake the handset from sleep





## // ENHANCED IMAGING

The improved design of the TX200 with traversing tabletop allows for greater access for imaging equipment.



## // GREATER SURGICAL ACCESS

The new TX200 low profile base has been designed to improve surgical access and ensure cleaning is easy.

## // RAISING PERFORMANCE LEVELS

With a 600mm minimum height and a maximum patient weight of 450kg at any height, the TX200 is a true performer in today's operating theatre environment.



**TX200**

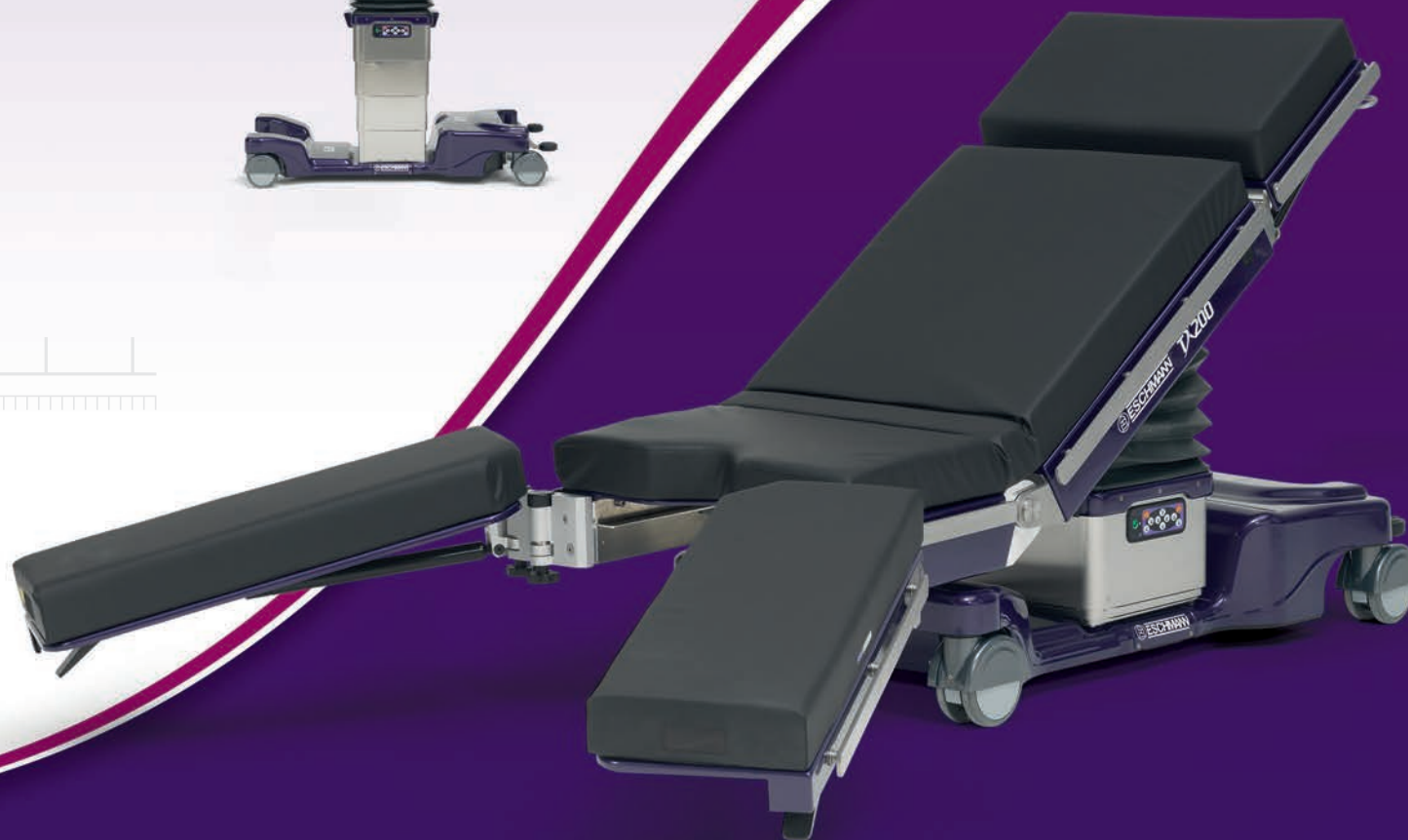
## // ALL ELECTRIC MOVEMENTS

Using a state-of-the-art control system, the fully electric TX200 operating table is able to provide smooth simultaneous movements, enabling advanced patient positioning.



## // SUPERIOR ERGONOMICS

The new minimum height of the TX200 allows for a comfortable operating position for the surgeon.



## // INCREASED VERSATILITY

The improved compound angle movements available with the TX200 allow for improved surgical access and flexibility, particularly for Laparoscopic Surgery.



TX200





## // ADVANCING PATIENT SAFETY

Ensuring a swift return to level is critical in the event of an emergency. The TX200 is the only table to offer truly synchronised combined movements to ensure this position is achieved in the shortest possible time.

Fully independent backup controls provide all of the table functions in the event of a handset failure.



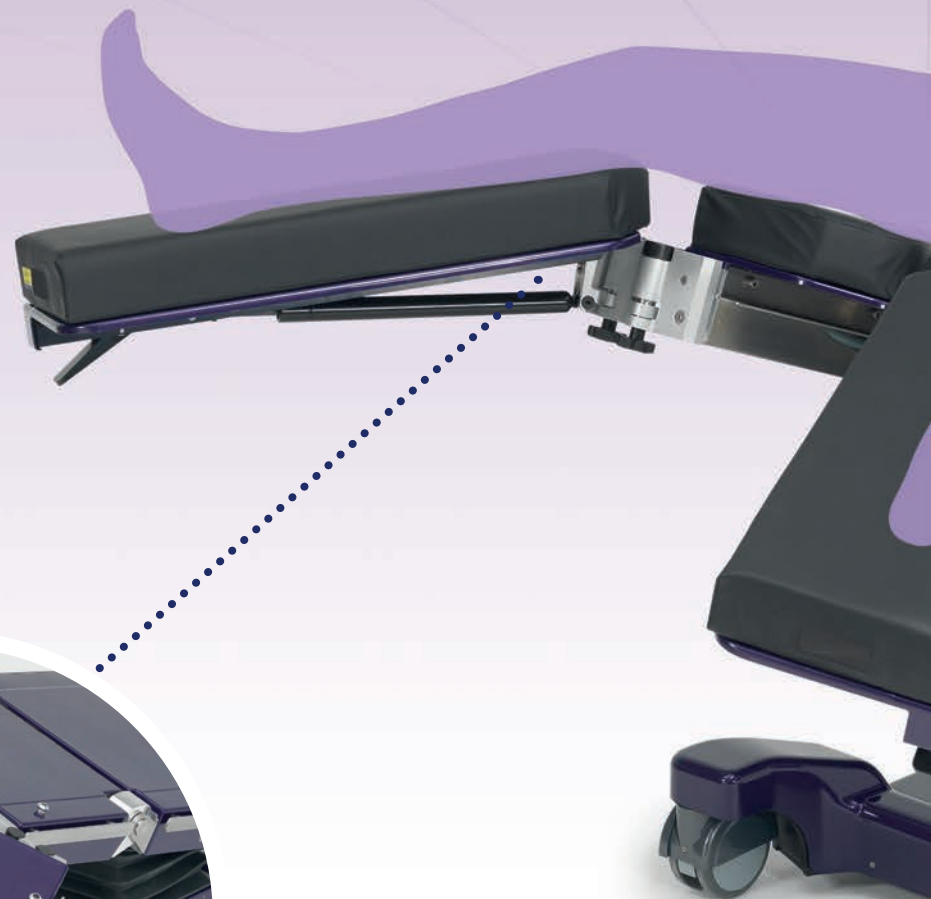
## // LAPAROSCOPIC SURGERY

Combining extreme angles and a 600mm minimum height, the TX200 is the perfect choice for Laparoscopic and Minimally Invasive surgical procedures.

When operating at extreme angles, the use of optional positioning supports maximises patient safety.

## // CLEAR ACCESS

The unique double hinge, wide opening design of the optional Divided Leg Section Plus, provides excellent clinical access to the patient.







## // GREATER MOVEMENT

With a new design column interface, the TX200 is able to provide an extensive range of movements.

The TX200 features a wide range of combined tabletop movements providing improved and more efficient patient positioning.

## // ULTRA FLEXIBLE

New bellows provide the flexibility required for the extreme tabletop movements, yet are easy to clean.

## // UPPER GI SURGERY

With a 600mm minimum height, Bariatric and Upper GI patient positioning is easier and more efficient. The central position of the column on the table base provides the surgeon with improved access around the table.

With the use of Specialist Patient Positioning accessories, the TX200 is the perfect choice for Bariatric Surgery.



TX200



## // REFINED FUNCTIONS

The TX200 features a chair position achievable from a single button press. Available in both table orientations, patient positioning has never been simpler.

With the use of combined table movements, the chair position is provided in a smooth single motion.





## // GENERAL SURGERY

Supine position in standard configuration.



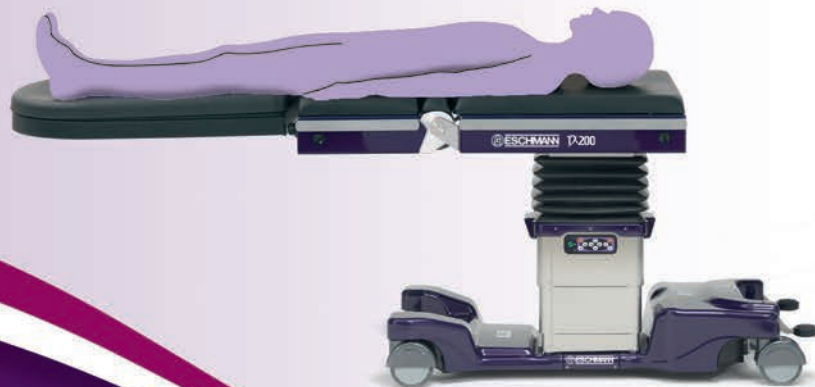
## // UROLOGY and THORACIC SURGERY

Left lateral position over tabletop in extension with footrest extension, head section removed.



## // VASCULAR SURGERY

Supine position with Lightweight Leg Plus extension, head section removed for increased imaging access.



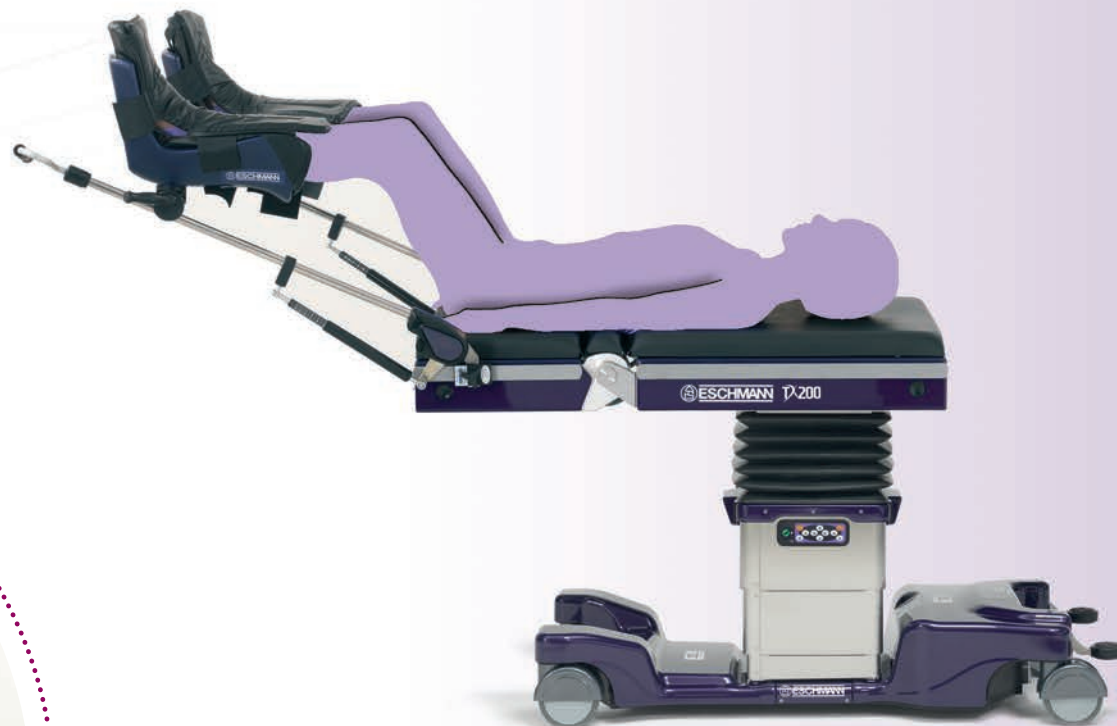
## // ENT and OPHTHALMIC SURGERY

Supine position with ENT/Ophthalmic headrest.



## // GYNAECOLOGICAL PROCEDURES

Eschmann Direct Placement Leg Holders provide easy manipulation of the patient's legs for Gynaecological procedures due to the weight assisted lifting design.



## // ARTICULATING LEGS

Eschmann Articulating Leg Sections are a modular patient support which provides maximum flexibility and efficiency.

With the ability to choose either pads or foot supports, the patient can be positioned for Gynaecological procedures without the need to remove sections from the operating table.

## // SHOULDER SURGERY

The TX200 combined with the Eschmann Shoulder Positioner provides the ultimate in versatility and ease of use.

With 5 individually removable sections, offset low profile head support and powered table movements, maximum flexibility is combined with maximum safety.



## // SPECIALIST PERFORMANCE

The TX200 can be quickly and easily configured for Spinal Surgery procedures using a range of mattresses, gel supports and pads, available from Eschmann.

## // POWER-ASSISTED MOVEMENT

The easy adjustment of the TX200 Shoulder Positioner provides power-assisted movement from supine to upright position. The sculpted head support ensures patient comfort, safety and a full range of movements for patients of all sizes.



## // NEUROSURGICAL PROCEDURES

Supine position with Neurosurgical Skull Clamp.



## // SPINAL SURGERY

Prone position with patient in flexion with Support Straps.



Chair position with Crossbar Attachment and Neurosurgical Skull Clamp.

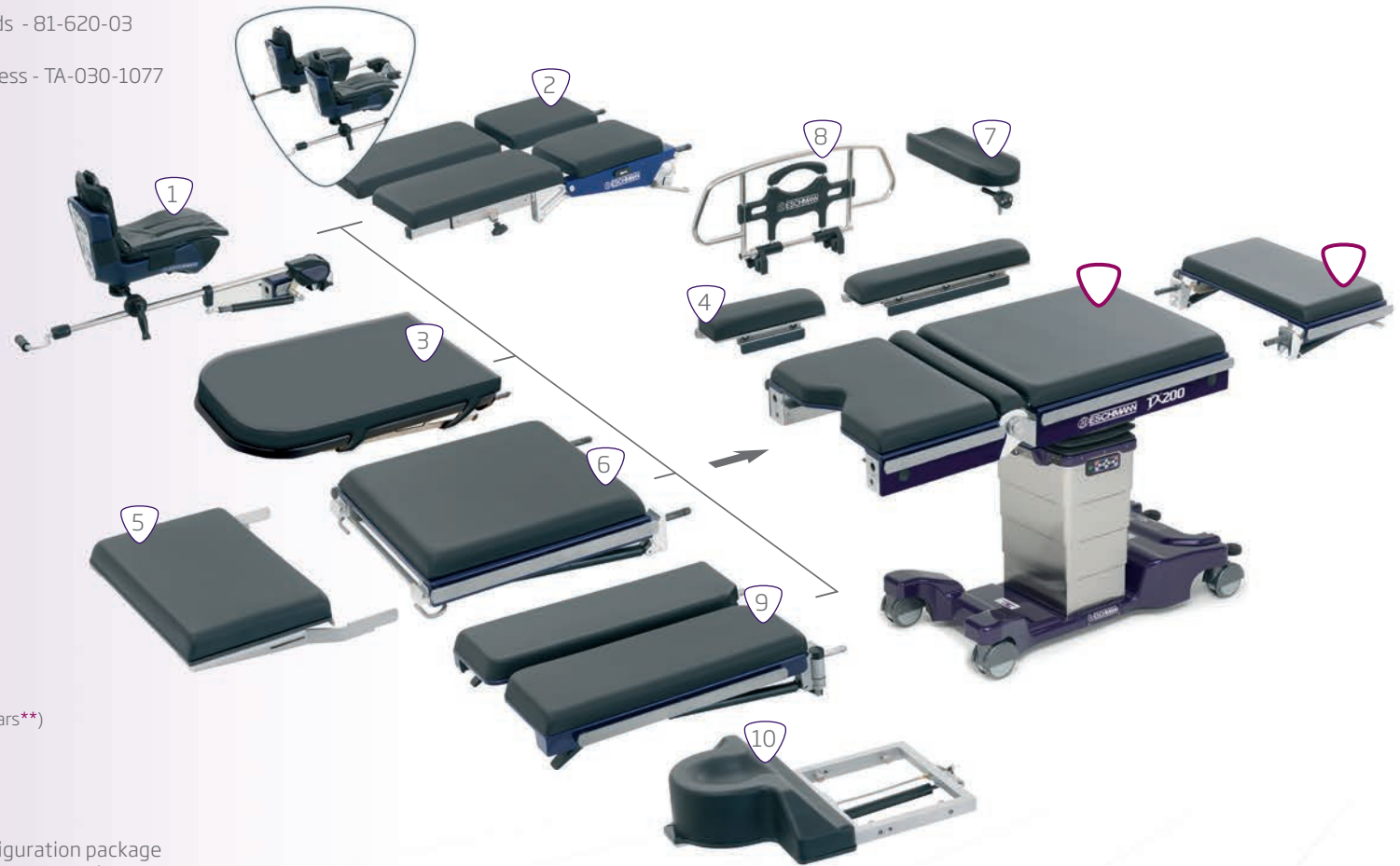


Prone position using Montreal Mattress and Gel Prone Head Support.



## // CONFIGURATION and ACCESSORIES

1. Direct Placement Legholders DPLH (pair) - 81-272-10  
Bariatric Direct Placement Legholders (pair) (not shown) - 81-269-07  
Requires 2 x bariatric DPLH clamps - 81-269-78 (each)
2. Articulated Leg section with boots & 50mm\* pads - 81-620-03
3. Lightweight Leg section Plus with 50mm\* mattress - TA-030-1077
4. Standard and Short Width Extenders  
TA-020-2033 - Standard with 50mm\* mattress  
TA-020-2035 - Short with 50mm\* mattress
5. Footrest/extension with 50mm\* mattress - TA-020-3037
6. Standard Leg section only (no mattress)  
- T00-321-0001  
Requires 50mm mattress - T20-441-2095  
or 80mm PRS mattress - T20-442-0008
7. Armboard - 81-300-19 (Requires drop handle direct on clamp TA-020-1084)
8. Cot sides - 81-462-77
9. Divided Leg Section Plus with 50mm\* mattress (UK Side Bars\*\*) - TA-030-3120
10. Ophthalmic / ENT headrest - 81-466-40
11. T Series accessory Trolley - TA-040-1120
12. General Accessory Trolley - 81-582-57 (UK Side Bars\*\*)



△ Standard configuration package  
X Optional accessory attachments

\*80mm PRS mattress options also available  
 \*\* Euro, Denyer and US side rails also available

## // ACCESSORY TROLLEYS

11



12

Accessory box for storing a range of accessories such as Straps and Gel pads

Sidebars for attaching a range of Clamps and small accessories

Pin sockets for storing Head, Leg or Lightweight Leg Sections



Please note: Accessories shown on the trolley are for illustrative purposes only. The standard configuration of the trolley comes with one accessory box, with the option to add a second if required.

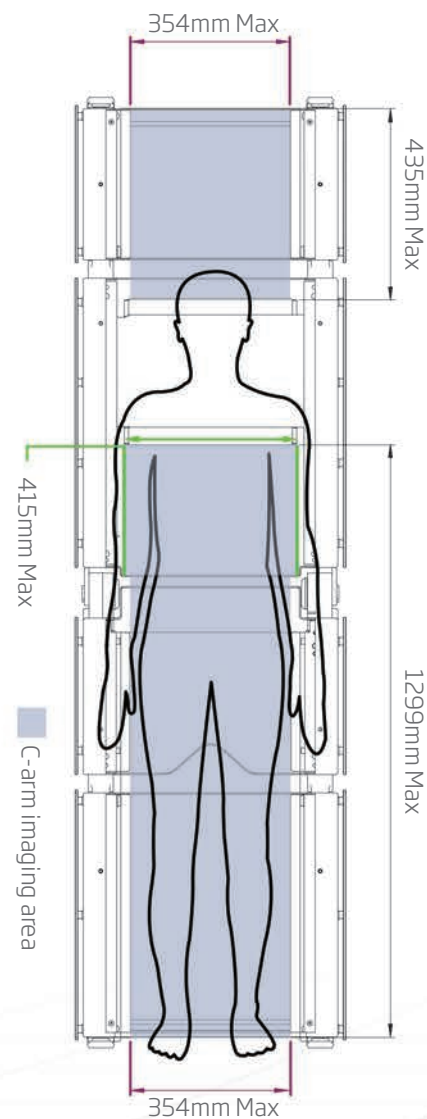


## // GENERAL SPECIFICATIONS

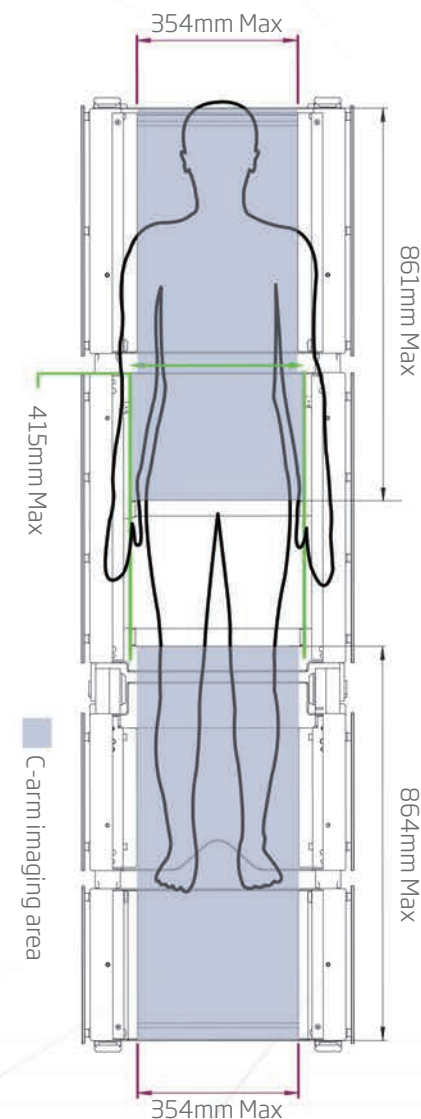
- // Full length radiolucent top with integral X-ray cassette tunnel<sup>1</sup>
- // Capable of 450kg maximum patient weight<sup>2</sup>
- // Slimline column centred relative to tabletop and base
- // 600mm wide top plus optional width extenders<sup>3</sup>
- // Seamless, 'Velcro-free' mattresses available in 50mm and 80mm PRS
- // Covers are made of impact resistant acrylic capped ABS
- // Handset featuring LCD screen for positioning information
- // Independent back-up controls incorporated into the column
- // Mains powered backup facility
- // Battery status indicators on handset and table base
- // Auto self-locking head and leg sections
- // Powered 250mm traversing top
- // Interchangeable head and leg sections
- // Tabletop break offset from column
- // RS232 port for system analysis
- // 600-1000mm height range<sup>4</sup>
- // Full 360° mobility

1 Head, Leg, and Short Trunk sections are fitted with X-ray cassette tunnel  
2 See Instructions for Use (table positions & safe loading section)  
3 All dimensions are nominal  
4 Measurements exclude mattress  
\* Mechanical tolerance of -2°

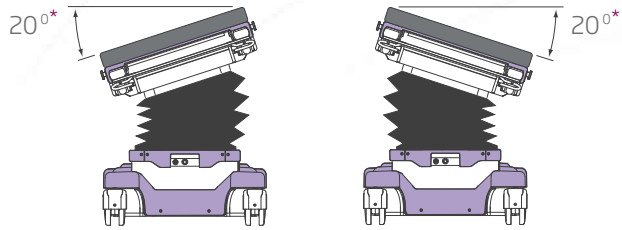
Standard configuration, normal orientation, caudal traverse.



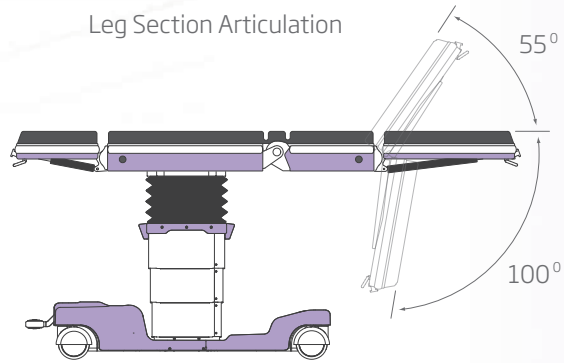
Reversed configuration, normal orientation, cranial traverse.



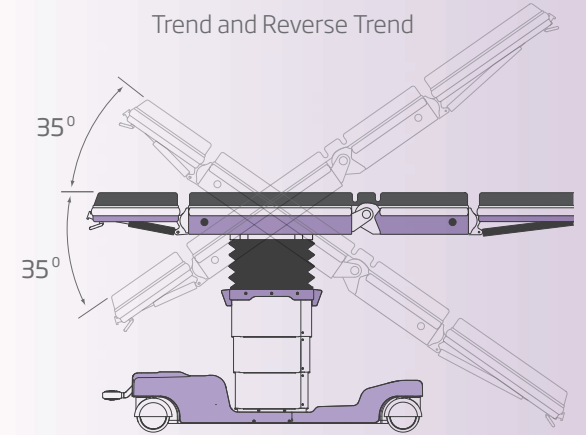
Lateral Tilt Movement



Leg Section Articulation



Trend and Reverse Trend



Head Articulation and Minimum Height

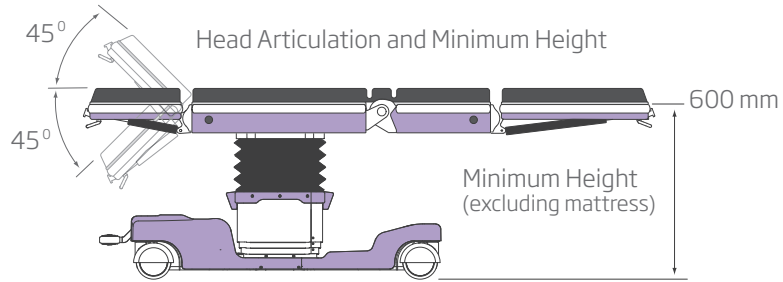
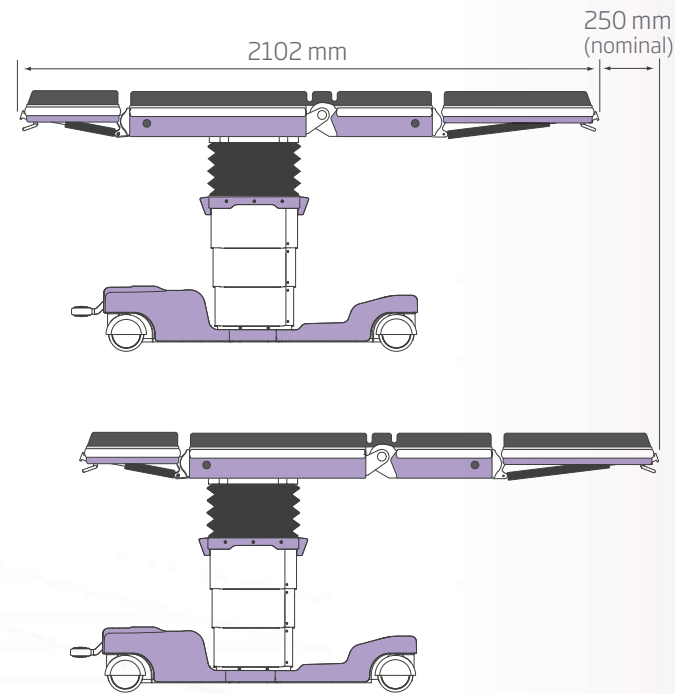
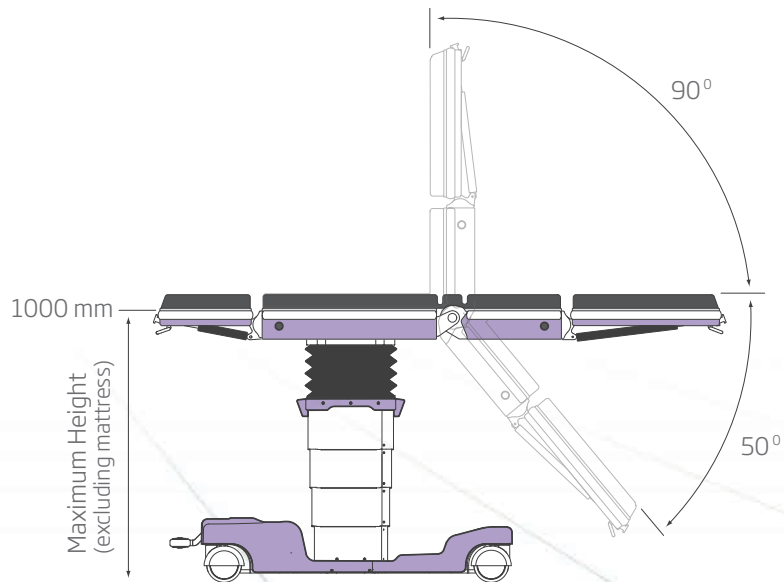
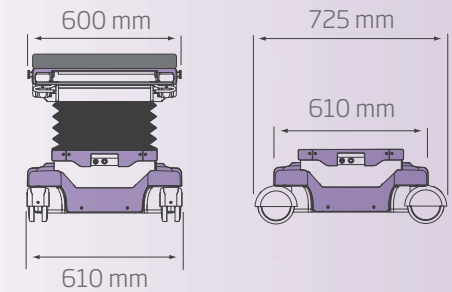


Table Length and Traverse Movement



Tabletop and Base Width



## // ORDERING, SERVICE and SHIPPING INFORMATION

### // Ordering

The TX200 operating table complete with 80mm\* PRS mattress, corded handset, mains cable and side bars.

57-100-03 - TX200 UK Rails

57-100-21 - TX200 Euro Rails

UK, Euro, Denyer and US side bar variants available.

\*50mm mattress variants are also available.

Please contact your local Eschmann representative for further details.

### // Service

Eschmann products are supported by a worldwide network of fully trained engineers, offering high quality Eschmann spare parts and first class Service.

For further information on the range of Service Contracts available, please contact your local Eschmann representative.

### // Shipping

Net weight 243kg (with mattress)

Gross weight 327kg

Export case dimensions

168 x 102 x 101cm



FOR A COPY OF OUR  
ACCESSORY BROCHURE,  
PLEASE CONTACT US:

Tel: +44 (0) 1903 753322

Fax: +44 (0) 1903 875789



[www.eschmann.co.uk](http://www.eschmann.co.uk)

Dealer Information

